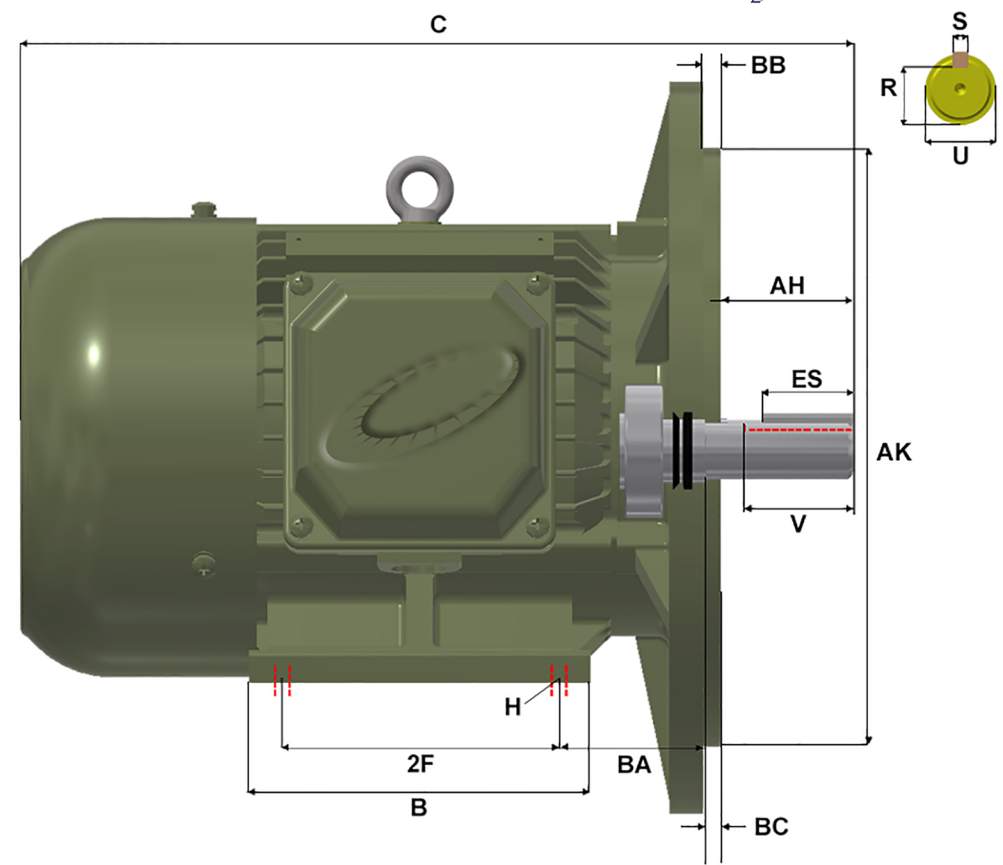
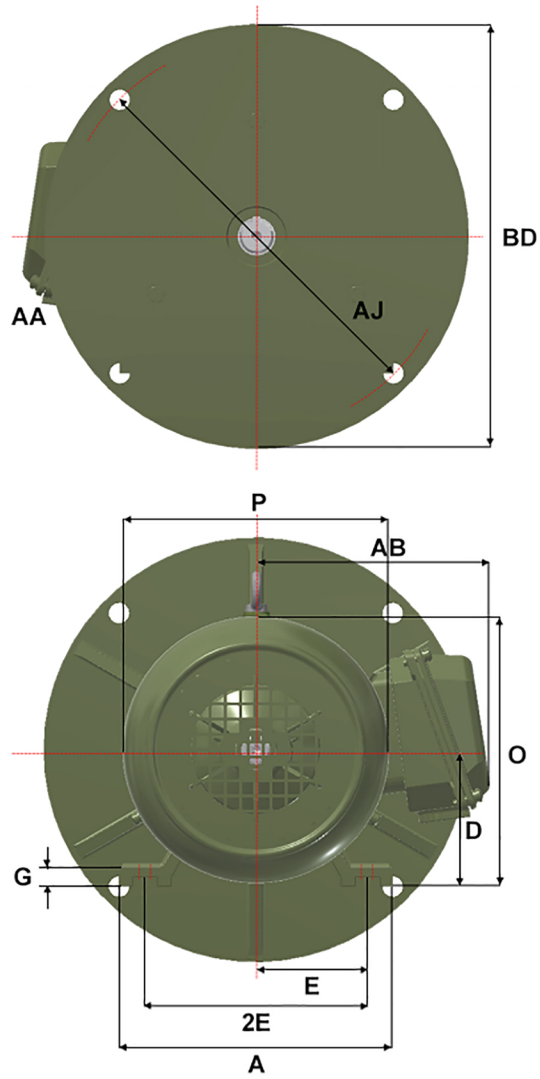


MaxMotion



Version: 2WTI		Revised: 08-10-2019		HP	RPM	FRAME	ENCLOSURE	MPP/MQP-8D								
Customer is responsible in determining that MEP product will fit/perform suitably in the intended application								1.5	1200	182TD	TEFC					
A	B	C	D	E	2E	2F	G	H	O	P	R	S				
T	U	V	AA	AB	AH	AJ	AK	BA	BB	BC	BD	ES				
9.50	7.30	16.10	4.50	3.75	7.50	4.50	0.60	4 * 0.41	9.10	8.70	0.986	0.250				
1.60	1.125	2.50	3/4 NPT	7.50	2.75	10.00	9.00	3.50	0.25	0.00	11.00	1.78				